

# IOTA 20

# IOTA 25

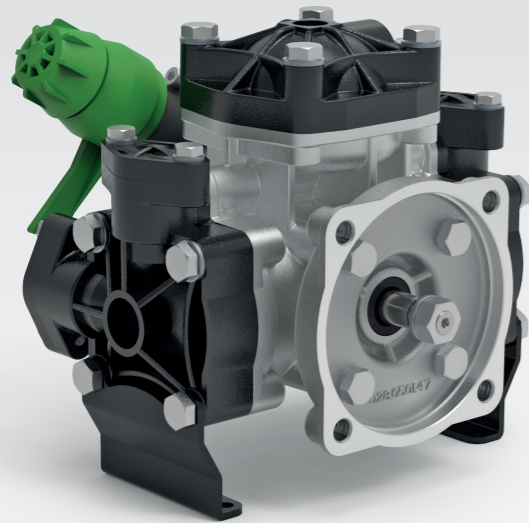
# IOTA 20 IOTA 25

Max.: 19 l/min - 5 GPM · 20 bar - 290 PSI · 600 RPM

Max.: 24 l/min - 7 GPM · 20 bar - 290 PSI · 600 RPM

IOTA 20 cod. 844200

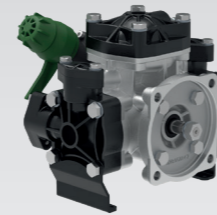
GR IOTA 25 cod. 844300



Membrane **GREENTECH** di serie  
**GREENTECH** diaphragm as standard  
cod. 090312

## Versione Version

**IOTA 20** IOTA 20 cod. 844200



**IOTA 25 GR** IOTA 25 cod. 844300



## Applicazioni Shaft adaptors

Riduttore per motore a scoppio  
Gear reduction for gasoline/diesel engine



S 151  
vedi pag 86 see page 86

Riduttore per motore elettrico  
Gear reduction for electric motors



E 127  
vedi pag 90 see page 90

Riduttore per motore a scoppio  
Gear reduction for gasoline/diesel engine



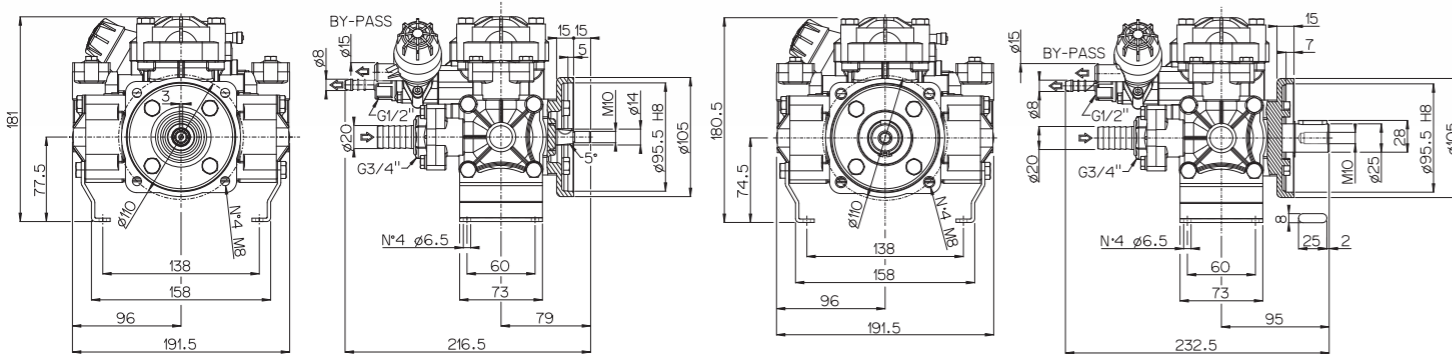
S 151  
vedi pag 86 see page 86

Applicazioni motori idraulici  
Hydraulic motor connections



MI  
vedi pag 92 see page 92

MOD.	RPM	0 bar / 0 PSI				5 bar / 72 PSI				10 bar / 145 PSI				15 bar / 217 PSI				20 bar / 290 PSI				Peso Weight	
		Portata Flow rate		Potenza Power		Portata Flow rate		Potenza Power		Portata Flow rate		Potenza Power		Portata Flow rate		Potenza Power		Portata Flow rate		Potenza Power			
		l/min	GPM	HP	kW	l/min	GPM	HP	kW	l/min	GPM	HP	kW	l/min	GPM	HP	kW	l/min	GPM	HP	kW	Kg	lb
IOTA 20	450	15.9	4.9	0.2	0.1	12.6	3.3	0.3	0.2	12.2	3.2	0.3	0.3	11.9	3.1	0.5	0.3	11.7	3.1	0.6	0.5	3.9	8.6
	500	16.8	4.4	0.2	0.1	14.1	3.7	0.3	0.2	13.7	3.6	0.4	0.3	13.4	3.5	0.5	0.4	13.2	3.5	0.7	0.5		
	550	17.6	4.6	0.2	0.1	15.3	4.0	0.3	0.2	14.9	3.9	0.4	0.3	14.6	3.9	0.6	0.4	14.4	3.8	0.8	0.6		
	600	19.0	5.0	0.2	0.1	16.9	4.5	0.3	0.2	16.5	4.4	0.5	0.3	16.2	4.3	0.6	0.5	16.0	4.2	0.8	0.6		
IOTA 25	450	18.5	4.9	0.2	0.1	16.8	4.4	0.3	0.2	16.4	4.3	0.5	0.3	16.1	4.3	0.6	0.5	15.9	4.2	0.8	0.6	4.2	9.3
	500	20.9	5.5	0.2	0.2	18.5	4.9	0.4	0.3	18.1	4.8	0.5	0.4	17.8	4.7	0.7	0.5	17.6	4.6	0.9	0.7		
	550	22.5	5.9	0.2	0.2	20.2	5.3	0.4	0.3	19.8	5.2	0.6	0.4	19.5	5.2	0.8	0.6	19.3	5.1	1.0	0.7		
	600	24.0	7.0	0.2	0.2	22.1	5.8	0.4	0.3	21.7	5.7	0.6	0.5	21.4	5.7	0.9	0.6	21.2	5.6	1.1	0.8		



IOTA 20

IOTA 25