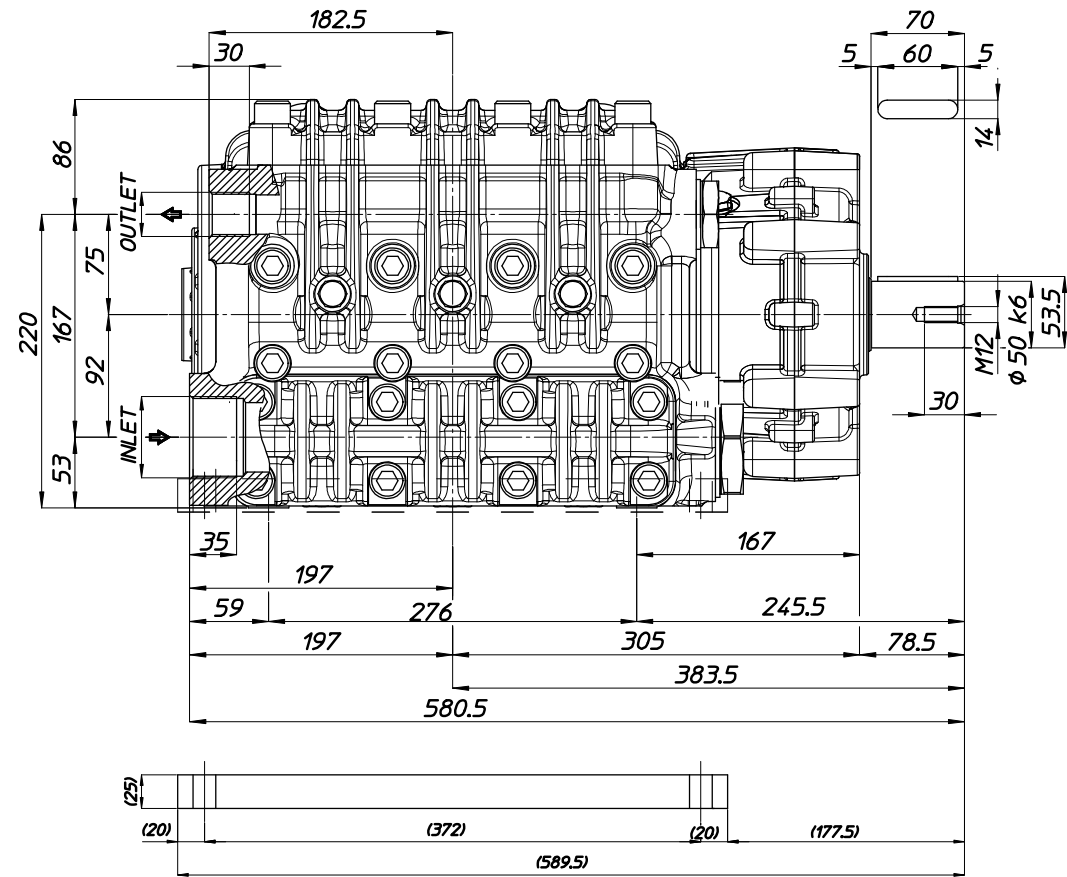


| | INLET | OUTLET |
|-----------|-------|--------|
| 135/300 R | G 2" | G 1" |
| 160/240 R | G 2" | G 1" |



| | INLET | OUTLET |
|-----------|----------|----------|
| 210/200 R | G 2" 1/2 | G 1" 1/4 |
| 270/160 R | G 2" 1/2 | G 1" 1/4 |
| 330/130 R | G 2" 1/2 | G 1" 1/4 |
| 400/100 R | G 2" 1/2 | G 1" 1/4 |