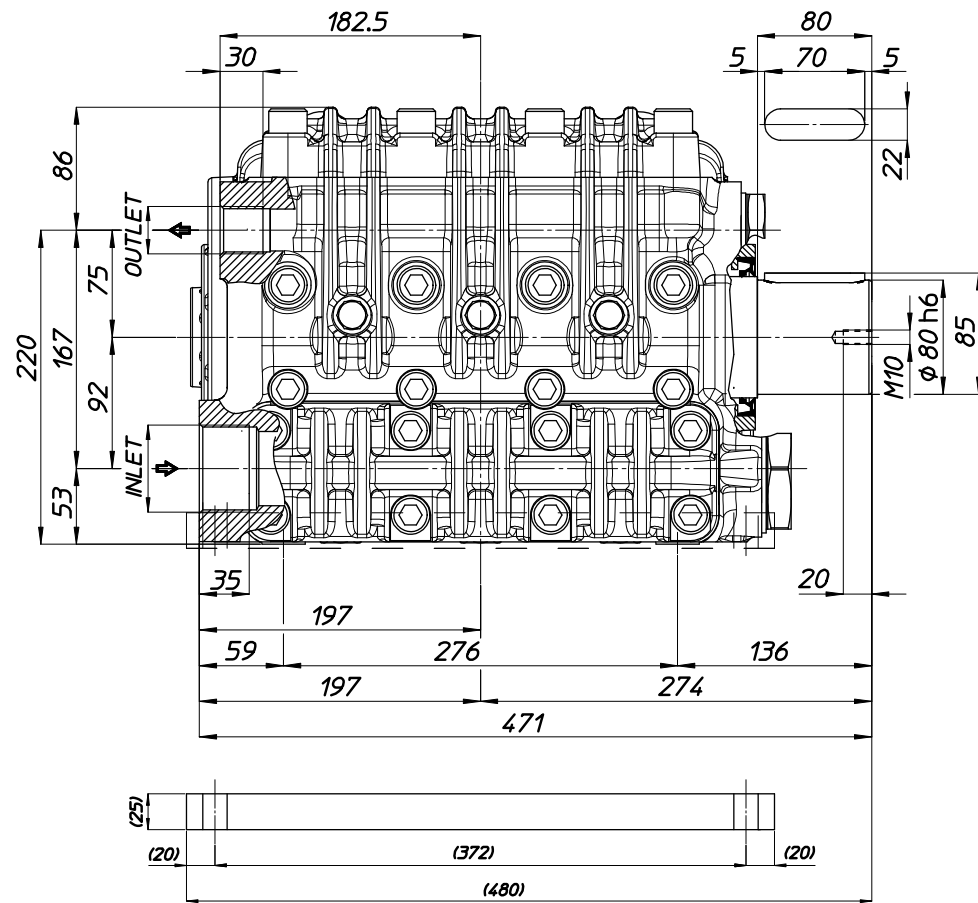


	INLET	OUTLET
135/300 R	G 2"	G 1"
160/240 R	G 2"	G 1"



	INLET	OUTLET
210/200 R	G 2" 1/2	G 1" 1/4
270/160 R	G 2" 1/2	G 1" 1/4
330/130 R	G 2" 1/2	G 1" 1/4
400/100 R	G 2" 1/2	G 1" 1/4