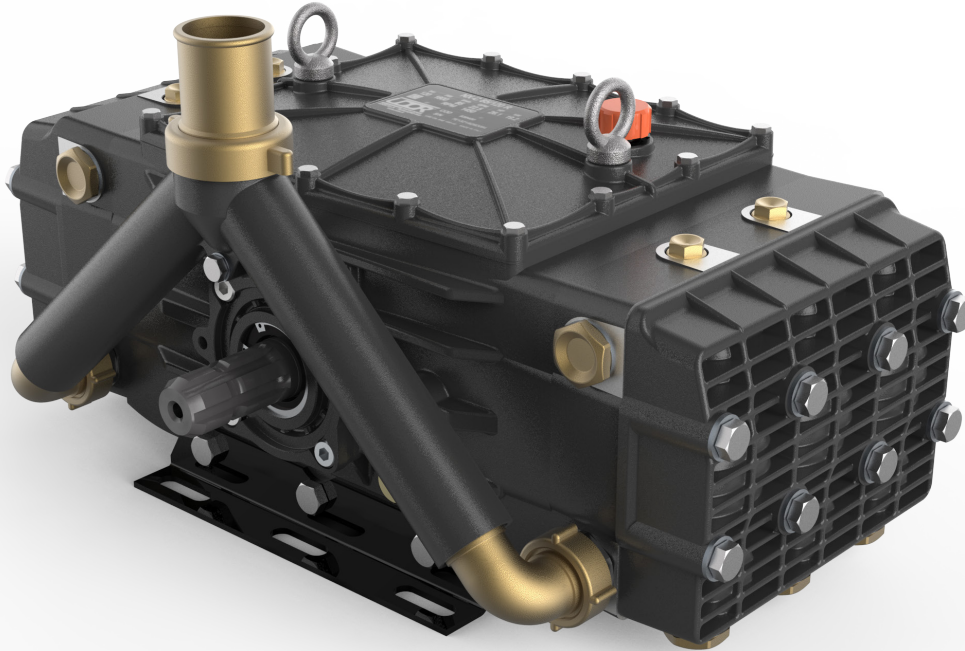
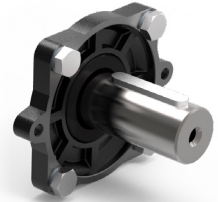


GAMMA 6P



TS 1C

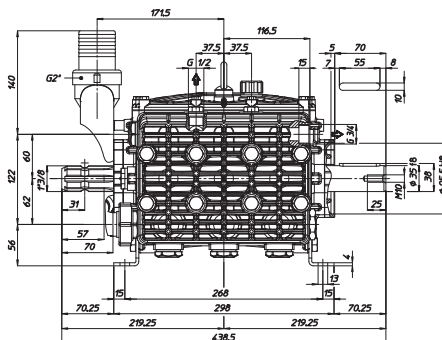
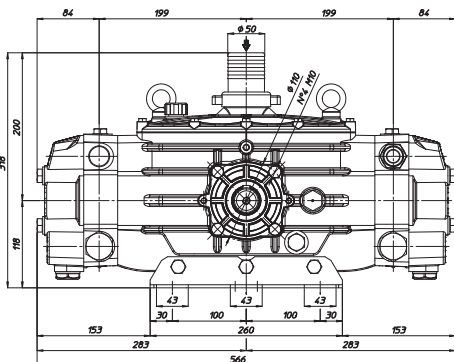


TS 2C

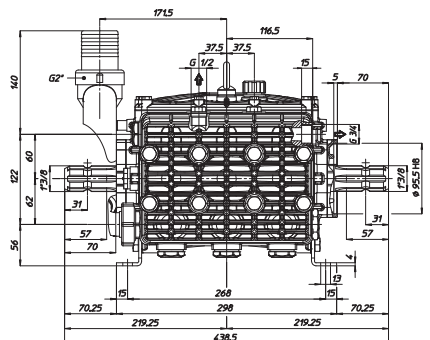


RPM	CODICE CODE	MODELLO MODEL	PORTATA FLOW				PRESSIONE PRESSURE		POTENZA POWER		PESO WEIGHT	PRESA DI FORZA SHAFT TYPE
			NOM.				bar	PSI	HP	kW		
			l/min	GPM	l/min	GPM					Kg	
600	839700	GAMMA 162 TS 1C	169.7	44.8	164.0	43.3	60	870	25.2	18.8	52.0	TS 1C - 35 mm 1"3/8 Scanalato / Splined
	839600	GAMMA 162 TS 2C	169.7	44.8	164.0	43.3	60	870	25.2	18.8	52.0	
	837200	GAMMA 202 TS 1C	214.9	56.8	208.0	55.0	60	870	32.0	23.9	52.0	
	837100	GAMMA 202 TS 2C	214.9	56.8	208.0	55.0	60	870	32.0	23.9	52.0	
550	840200	GAMMA 242 TS 1C	246.2	65.1	240.0	63.4	60	870	36.9	27.5	52.0	TS 2C - 1"3/8 Scanalato / Splined
	840100	GAMMA 242 TS 2C	246.2	65.1	240.0	63.4	60	870	36.9	27.5	52.0	

Dimensioni d'ingombro (mm) - Overall Dimensions (mm)



TS 1C



TS 2C